

Rollerblind QS80 Standard

Product information

The basic model of the QS8 system. Main features of this model are the high user comfort, due to the easy and smooth operation and of course the low noise chain control system.



Technical information

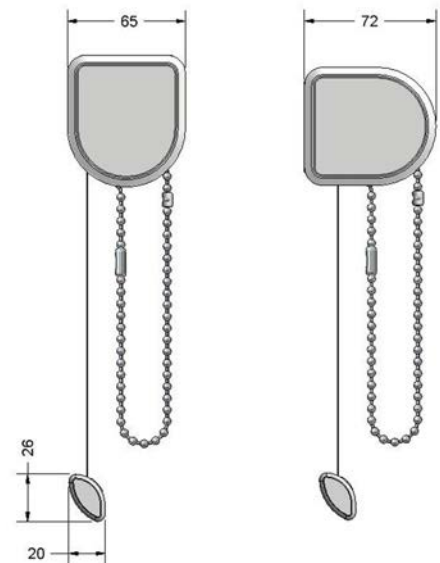
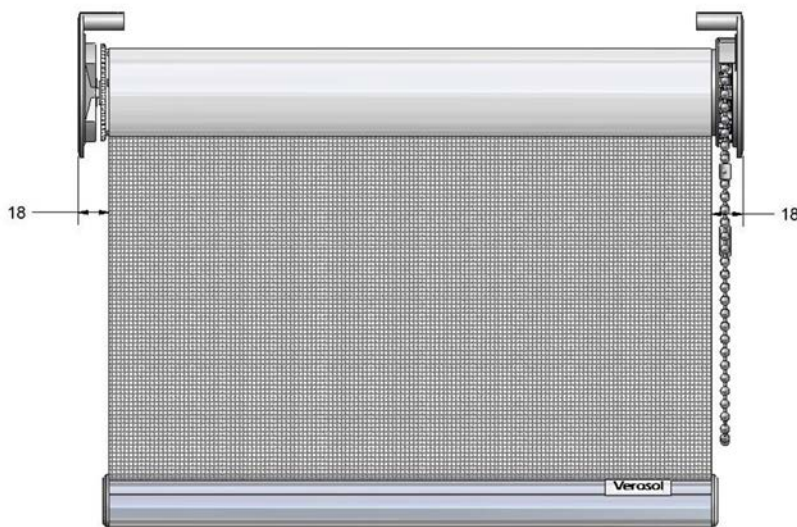
Product Code	QS80.0	QS80.4
Product Name	Standard Roller blind	Standard Rollerblind
Operation	Chain Operation	230V AC Somfy
Tube	Material	Extruded Aluminium \varnothing 44mm, 49mm, 57mm
Dimensions	With	400mm min - 3000mm max (depending on tube and fabric)
	Drop	300mm min - 4000mm max (depending on tube and fabric)
	Maximum Area	8m ²
Bottom Rail	Material	Extruded Aluminium Alloy- Asymetric Profile
	Dimensions	20mm W x 25mm H
	Colours	RAL 9001, 9010, 9016, Clear Anodised
	Paint	Electrostatic Powder coated and Baked
End Caps	Material	UV Stabilised Polymer Acrylic
	Colours	Grey,White,Black
Chain	Material	Aluminium or Stainless Steel
Installation Brackets	Material	Press formed steel, pre-treated and powder coated
	Operation	Top or Face Fixing - concealed when installed

Rollerblind QS80 Standard

Optional

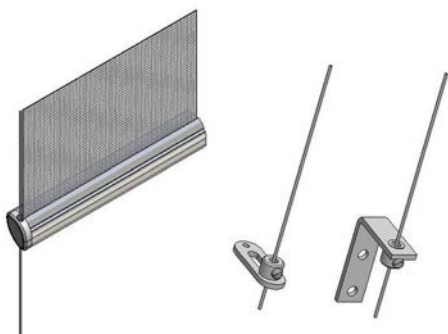
Guiding	Angle	Up to 15° angle from vertical	
	Maximum With	1500mm	
	Maximum Area	6m ²	
	Cable	Steel	
<hr/>			
Bottom Installation	Material	Stainless Steel	
Bracket			
<hr/>			
Fascia Options	Type	QS8 Fascia	
	Material	Extruded Aluminium Alloy [T5 Temper]	
	Dimensions	84mm x 82mm	Suitable for Face Fixing
	Maximum	4800mm maximum width	
	Colours	RAL 9001, 9010, 9016, Clear Anodised	

System diagrams

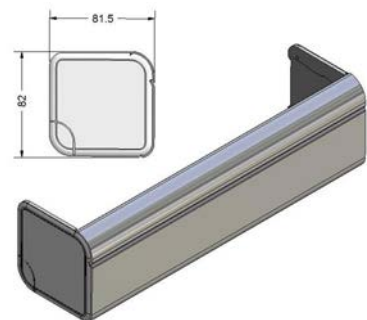


Top Fix

Face Fix



Guiding wire



Fascia