

Rollerblind QS 81 **Standard With Mounting Profile**

Product information

This model has all the silent and smooth operation features, and is very easy to install due to the mounting profile with easy spring loaded clips.



Technical information

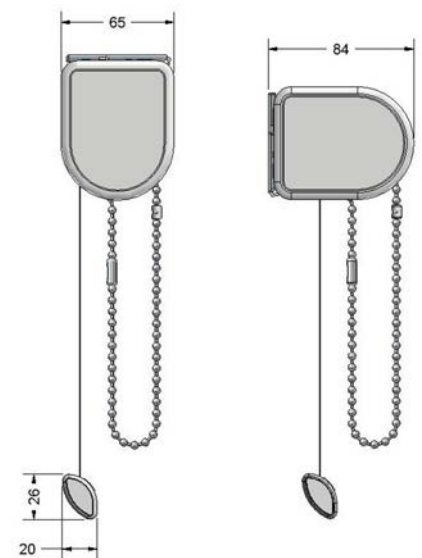
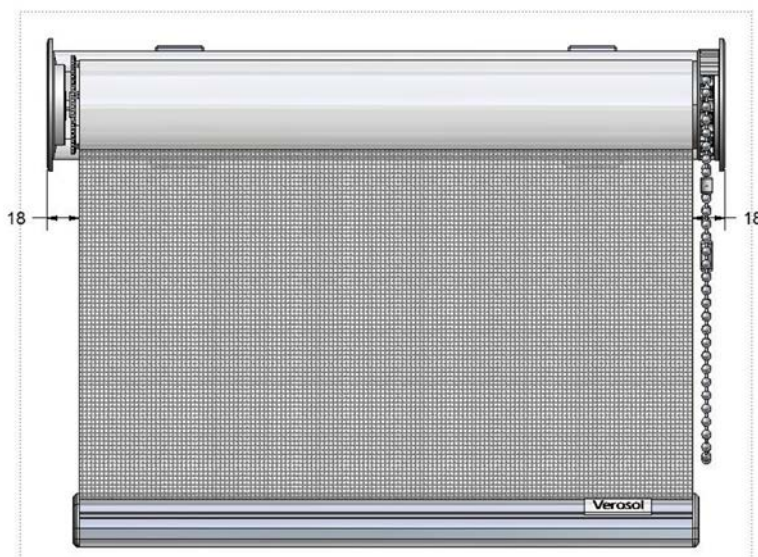
Product Code	QS81.0	QS81.4
Product Name	Standard Roller blind	Standard Roller blind
Operation	Chain Operation	230V AC Somfy
Tube	Material	Extruded Aluminium ∅ 44mm, 49mm, 57mm
		Extruded Aluminium
Dimensions	With	400mm min - 3000mm max (depending on tube and fabric)
	Drop	300mm min - 4000mm max (depending on tube and fabric)
	Maximum Area	8m ²
Mounting Bar	Material	Extruded Aluminium Alloy- Asymmetric Profile
	Dimensions	52mm W x 16mm H
Bottom Rail	Material	Extruded Aluminium Alloy- Asymmetric Profile
	Dimensions	20mm W x 25mm H
	Colours	RAL 9001, 9010, 9016, Clear Anodised
	Paint	Electrostatic Powder coated and Baked
End Caps	Material	UV Stabilised Polymer Acrylic
	Colours	Grey,White,Black
Chain	Material	Aluminium or Stainless Steel
Installation Brackets	Material	Press formed Steel
	Operation	Top or Face Fixing - concealed when installed

Rollerblind QS81 Standard with Mounting Profile

Optional

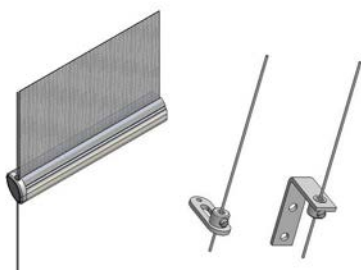
Guiding	Angle	Up to 15° angle from vertical	
	Maximum With	1500mm	
	Maximum Area	6m ²	
	Cable	Steel	
<hr/>			
Bottom Installation	Material	Stainless Steel	
<hr/>			
Fascia Options	Type	QS8 Fascia	
	Material	Extruded Aluminium Alloy [T5 Temper]	
	Dimensions	84mm x 82mm	Suitable for Face Fixing
	Maximum	4800mm maximum width	
	Colours	RAL 9001, 9010, 7016, Clear Anodised	

System diagrams

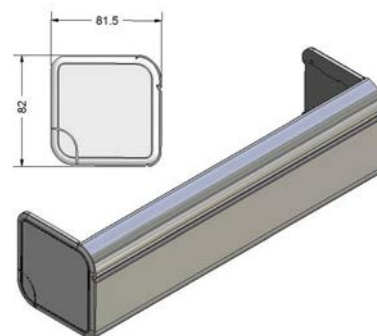


Top Fix

Face Fix



Guiding wire



Fascia Profile